

SONY[®]

NETWORK COLOR CAMERA
SNC-RZ30N (NTSC)



***The Network Camera Experience
- Anyone, Anytime, Anywhere***

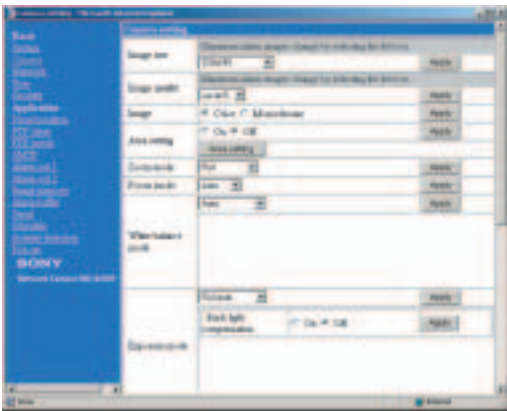
Features and Benefits

Remote Monitoring/Control Over Networks Using a Standard Web Browser

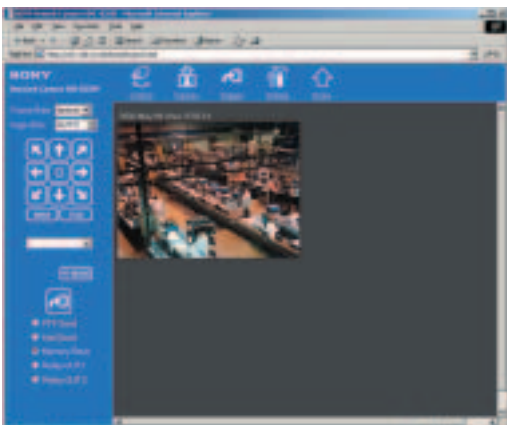
The SNC-RZ30N is equipped with a 10/100 Base-T Ethernet interface and has a web server capability with an assignable IP address. These features coupled with the camera's built-in software allow the user to control the camera and view live images over a network. All that is required is a PC running a standard web browser. No additional software or plug-ins are required. The following operating systems and browsers are supported by the SNC-RZ30N:

Operating System	Web Browser
Microsoft® Windows® 98/98SE/Me/NT4.0/2000/XP	Microsoft Internet Explorer version 5.5 and 6.0

• SNC-RZ30N Setting Menu

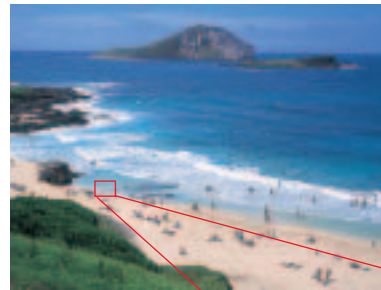


• SNC-RZ30N Viewer



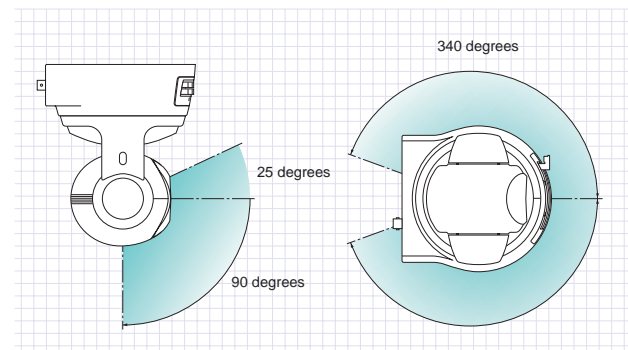
High-Speed, Quiet Pan/Tilt/Zoom (PTZ)

It's easy to locate almost any position in the viewable area surrounding the SNC-RZ30N using its high-speed PTZ capability. Of all PTZ-capable network cameras, the SNC-RZ30N has one of the widest ranges in its class: a pan range of 340°, a tilt range of 115°, plus a 25x optical / 300x digital zoom capability. The full 340° pan range can be covered in 2 seconds, and the -90° to +25° tilt range can be covered in 1.5 seconds. In addition to the wide range of motion and high-speed movements, the SNC-RZ30N incorporates gearless direct-drive motors that ensure exceptionally quiet operation.



25x Optical Zoom (simulated images)

■ Pan/Tilt Range



High-Quality Image/Selectable Parameters

The SNC-RZ30N has a number of selectable parameters that make it easy to match the quality of the image with your bandwidth requirements. For example, the SNC-RZ30N, which uses the industry-standard JPEG compression format, has a compression ratio selectable between 1/5 and 1/60. Also, with a maximum setting of 30 fps^{*1}, the frame rate can either be set manually at a fixed frame rate, or at a variable frame rate based on the amount of bandwidth available. Furthermore, the resolution can be selected from a choice of 736 x 480, 640 x 480, 320 x 240, and 160 x 120. With a high-speed network connection, you can obtain high-quality video images, and with a limited bandwidth connection, you can set the parameters so that images are still very clear with no image break-up.

Image Transfer Using FTP/SMTP

Because the SNC-RZ30N supports both FTP and SMTP protocols, JPEG still image data can be transferred, as required, either to an FTP server or to a specified e-mail address as a JPEG attachment.

Activity Detection/Alarm Trigger

The SNC-RZ30N has a built-in activity detection function that can be set to trigger an alarm or a switch. For example, when there is movement in the field-of-view of the camera, the camera could set off an audible alarm or turn on a lamp. In addition to using the built-in activity detection function, the SNC-RZ30N can be configured with up to three external sensors for expanded functionality. Any or all of these sensors can be set to trigger an alarm, or to send a signal to a solenoid to perform functions such as locking a door. Other functions can also be performed such as sending the image that was captured at the time the alarm was triggered to an e-mail address or to an FTP server. Also, because the SNC-RZ30N has 8 MB of RAM designated as a buffer and a high-speed data-transfer capability of up to 30 fps, hundreds of images from before and after the alarm was triggered can be buffered in the RAM and transferred.

Two Type II PCMCIA Expansion Slots

Two Type II PCMCIA card slots are integrated into the SNC-RZ30N. These slots can be used to increase the storage capacity of the unit by adding either a flash memory card or an ATA Hard Disk Drive (HDD) card.^{*5} IC recording media such as a **Memory Stick** media card with a **Memory Stick/PC** card adaptor can be used as well.



PCMCIA Type II x 2



*5: Slots cannot be used simultaneously.

Analog Composite Video Output

The SNC-RZ30N can output an analog composite video signal via the BNC connector on the unit's rear panel. This is an ideal feature for sending signals to a local recording device or monitor.

REAR PANEL



RS-232C/485 Transparency Interface

External equipment can be connected to the RS-232C/485 interface of the SNC-RZ30N, and can be controlled by a PC connected to the network on which the SNC-RZ30N resides.

Simultaneous Access

Up to 50 users can simultaneously access a single SNC-RZ30N to monitor images and control the camera. One of two control modes for the camera can be set by the administrator, allowing control of the unit to be shared by a number of users. One mode gives priority to the user who last attempted to control the camera, while the other mode is time-based. When this mode is set, priority is given to a user for a specified amount of time and when time expires, the next person who takes control is given priority for that same amount of time.

Network Security Features

IP Filtering - User access to the SNC-RZ30N can be limited by IP filtering. Up to ten different groups can be established by defining an IP address range for each group. This allows users with IP addresses in a defined range to access the camera, while denying access to all other addresses.

Password Protection - User names and passwords can be assigned to allow four levels of access. Generally, the administrator has complete access/control of the camera, while the other three levels can be set to limit user privileges to functions such as PTZ control, viewing, trigger control, etc.

Other Features

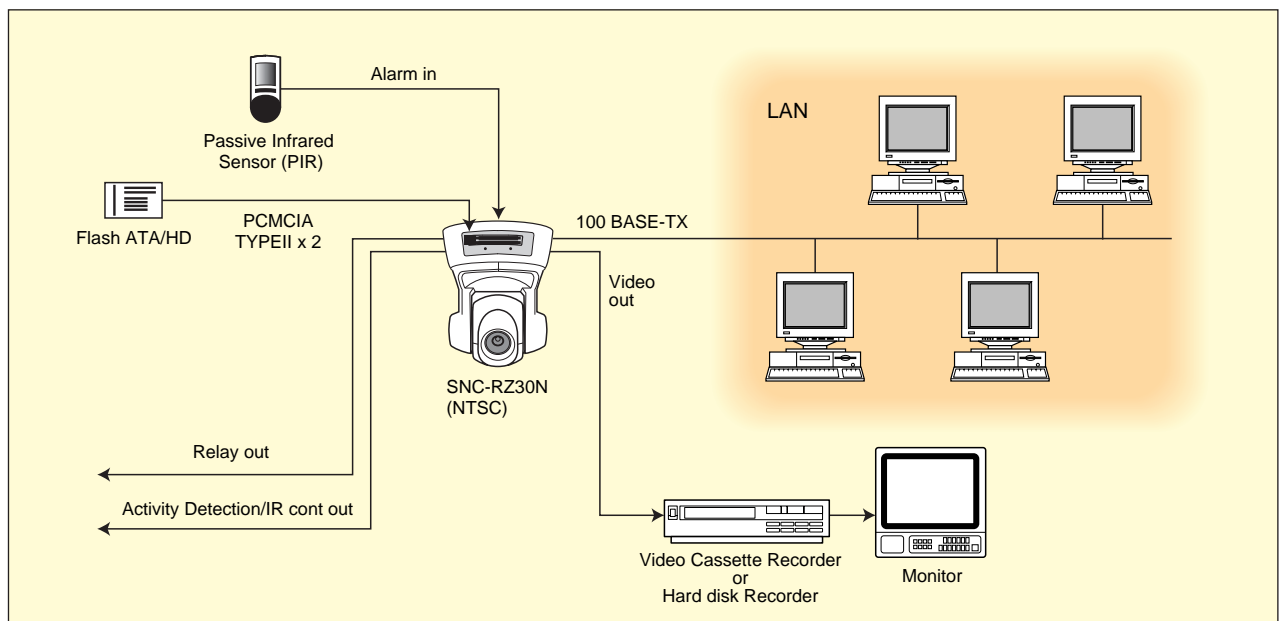
Direct Pointing or Vectoring - There is an alternative method of controlling the pan and tilt of the SNC-RZ30N. When this other method is selected, an on-screen simulated pad appears on the GUI (Graphical User Interface) allowing "direct pointing" or "vectoring" to control the camera.

"Tour" Feature - The "tour" feature allows the user to preset up to five scanning patterns with up to 16 positions in each scan. This is useful when you wish to monitor designated areas in a room.

Cropping Feature - The administrator can designate an area in the image to be cropped. This feature is particularly useful when you wish to monitor a specific location. In addition, it reduces the size of the image file, making the storage and transfer of images more efficient.

Day/Night Mode - The SNC-RZ30N has a unique day/night mode, which allows images to be viewed even in low light conditions.

Sample System Configuration





Network cameras have been steadily making their way into the market over the past few years, yet few have been designed with the thought that went into Sony's color network camera, the SNC-RZ30N.

Combining network functionality with a Pan/Tilt/Zoom (PTZ) capability, the SNC-RZ30N takes remote monitoring and general IT applications to the next step by offering the flexibility to see almost anything within the camera's range and field-of-view over an ordinary TCP/IP network. Images from the SNC-RZ30N can be viewed and the PTZ movement can be controlled using a PC running a standard browser without the need for additional software or plug-ins. Moreover, setup is very easy because the setup menu is also browser-based.

The SNC-RZ30N features a 25x optical zoom capability that allows a user to zoom in on small or distant objects with exceptional clarity. Image quality is extremely high because the SNC-RZ30N uses a high-resolution CCD imager and a newly designed image processor. The SNC-RZ30N employs JPEG compression and can be set up to transfer these JPEG images to an FTP server or to a specified e-mail address. Also, the frame rate for this camera can be set as high as 30 fps^{*1}, which makes for very smooth moving images. The SNC-RZ30N features built-in PCMCIA card slots to further expand the camera's memory with a flash ATA card, an ATA HDD card, or a Memory Stick™ media card with adaptor^{*2}, allowing you to store tens of thousands of images.

Finally, unlike most network cameras, the SNC-RZ30N has an analog composite video output connector for outputting video to a local recorder, making it ideal for reviewing activity that might have been missed while monitoring in real time.

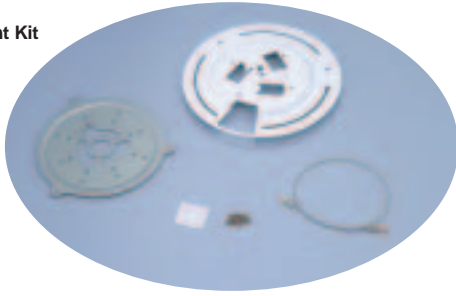
All of this functionality is packaged into one sleek, compact, and lightweight body that can be either ceiling mounted or placed on a flat surface. The feature rich SNC-RZ30N is an ideal choice for virtually any IP remote monitoring application.

*1 The SNC-RZ30N offers a maximum frame rate of 30 fps. In order to achieve the maximum frame rate, an adequate client PC processor speed and an adequate network environment are required.

*2 Flash ATA card, ATA HDD card, Memory Stick media card and Memory Stick/PC Card Adaptor are not included.

Supplied Accessories

Ceiling Mount Kit



AC power adaptor
AC power cable
Ethernet cable (UTP category 5 cross cable)
CD-ROM (setup program and user's guide)

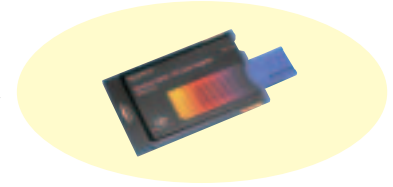
I/O receptacle
Installation manual
Ferrite core

Optional Accessories



MSA-8A/16A/32A/64A/128A
Memory Stick
(8 MB/16 MB/32 MB/64 MB/128MB)

MSAC-PC2
Memory Stick/PC Card Adaptor



Specifications

Camera

Imager	1/6 type Interline Transfer Super HAD CCD
Pixels	680,000 pixels (NTSC)
Electronic shutter	1/4 to 1/10,000 sec. (NTSC)
Exposure	Auto [Full Auto (including backlight compensation), Shutter-priority, Iris-priority] and manual
White balance	Auto, ATW, Indoor, Outdoor, One-push (trigger command), Manual
EV Compensation	-1.75 to +1.75 (15 steps)
Iris	Auto/Manual (F1.6 to close)
Gain	Auto/Manual (-3 dB to 28 dB)
Focus mode	Auto/Manual (Near, Far, One-push autofocus)

Lens

Zoom Ratio	25x optical zoom, 300x with digital zoom
Horizontal viewing angle	2.0 degrees to 45 degrees
Focal length	f = 2.4 mm to 60 mm
F-number	F1.6 (wide), F2.7 (tele)
Minimum object distance	Tele: 800 mm Wide: 30 mm

System/Network

CPU	32-bit RISC processor
RAM	32 MB (includes 8 MB alarm buffer)
Embedded flash memory	8 MB
Resolution	736 x 480, 640 x 480, 320 x 240, 160 x 120 (NTSC)
Compression	JPEG
Compression ratio	1/5 ~ 1/60 (10 steps)
Frame rate	30 fps max. (640 x 480) (NTSC)*
Protocols	DHCP, TCP/IP, HTTP, ARP, FTP, SMTP, ICMP, and SNMP

* Depending on network environment

Pan/Tilt

Pan angle	-170 to +170 degrees
Pan speed	2 sec./340 degrees
Tilt angle	-90 to +25 degrees
Tilt speed	1.5 sec./115 degrees

Interfaces

Ethernet	100Base-TX /10Base-T (RJ-45)
PCMCIA	Type II x 2
Video Output	Analog Composite (BNC x1)
Sensor in	3
Alarm out	2
Serial IF	RS-232C/485 (transparency only)

Analog Video Output

Signal system	SNC-RZ30N (NTSC)
Sync system	Internal
Horizontal resolution	480 TV lines
S/N ratio	48 dB
Min. illumination	3 lx (color)

General

Weight	2 lb 10 oz (1.2 kg)
Power requirements	DC 12 V via AC adaptor (100 to 240 V)
Power consumption	21.6 W (with ATA HDD card)
Operating temperature	32 °F to 104 °F (0 °C to + 40 °C)
Storage temperature	-4 °F to 104 °F (-20 °C to + 60 °C)
Operating humidity	20% to 80% Non-condensing
Storage humidity	20% to 95% Non-condensing
Dimensions (W x H x D)	5 5/8 x 7 x 5 3/4 inches (140 x 175 x 144 mm)

SONY

Sony Electronics Inc.
1 Sony Drive
Park Ridge, NJ 07656
www.sony.com/videocameras

IS-1153
MK7826V11W02JUL

© 2002 Sony Electronics Inc. All rights reserved.
Reproduction in whole or in part without written permission is prohibited.
Features and specifications are subject to change without notice.
All non-metric weights and measurements are approximate.
Some images in this catalog are simulated.
Sony is a registered trademark of Sony.
Memory Stick and Memory Stick logo are trademarks of Sony.
All other trademarks are the property of their respective owners.

Printed in USA (8/02)